



4" Oval Duct:
80 CFM/0.7 sones @ 0.1 SP, 8.5 Watts
62 CFM/1.1 sones @ 0.25 SP, 10.9 Watts



Description

Low noise ceiling mount ventilating fan rated for continuous running. Fan has been ENERGY STAR qualified, HVI, UL and cUL certified and can be used to comply with ASHRAE 62.2 (local and whole building continuous and intermittent operation).

DC Motor/Blower

- Power rating of 120 volts/60Hz
- Motor equipped with thermal cutoff fuse
- Removable with permanently lubricated plug-in motor
- Built-in soft start function to increase bearings' life
- Automatically powers OFF when impeller is locked abnormally

Housing

- Galvanized steel body
- Detachable 4" oval metal duct adapter
- Built-in backdraft damper
- Hanger bars included
- Easy installation

Grille

- Attractive design using ABS material
- Attaches directly to housing with torsion springs

LED Indicator

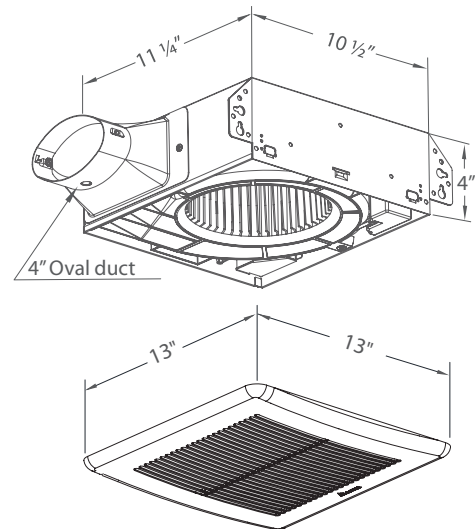
- Turn the power switch on/off to operate on/off.
LED indicator will be green when power is on.

Warranty

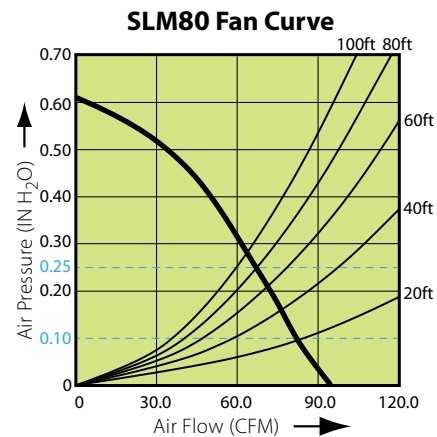
- 3-Year limited warranty

TYPICAL SPECIFICATION

Ventilation fan shall be Delta Breez model SLM80; ENERGY STAR qualified with Brushless DC Motor engineered to run continuously for a minimum 70,000 hours; airflow rating of 80 CFM and loudness rating of 0.7 sones at 0.1 static pressure as certified by the Home Ventilating Institute (HVI); power consumption of 8.5 Watts with efficiency rating of 9.4 CFM/Watt; fan will feature LED indicator running light and motor lock protection. UL and cUL listed for tub/shower enclosure when used with GFCI-protected branch circuit wiring.



BreezSlim SLM80		
	4" Oval Duct	
Static Pressure (Inches w.g.)	0.1	0.25
Air Flow (CFM)	80	62
Sones	0.7	1.1
Power Consumption (Watts)	8.5	10.9
Energy Efficiency (CFM/Watts)	9.4	5.6
Current (Amps)	0.26 Max	
Power Rating (V/Hz)	120/60	



Model	Quantity	Comments	Project:
			Location:
			Architect:
			Engineer:
			Contractor:
			Submitted by:
			Date: